

Fig. 1

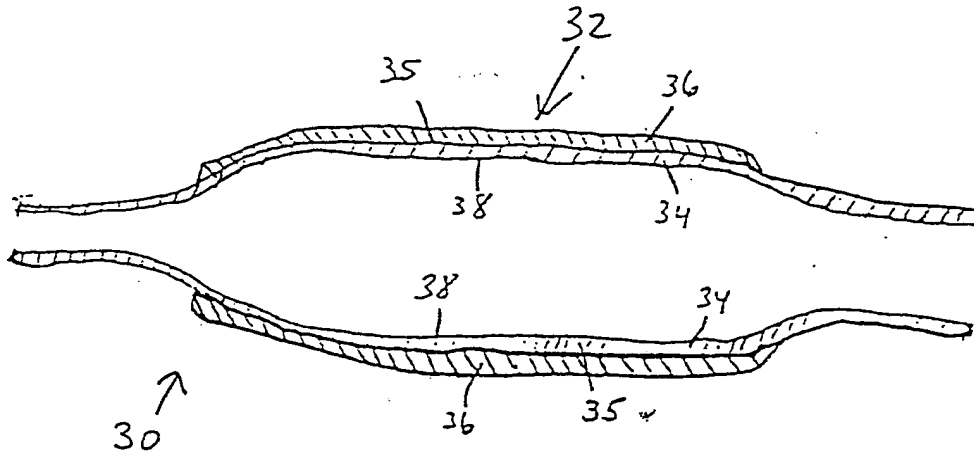
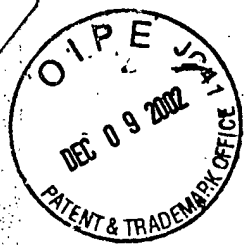
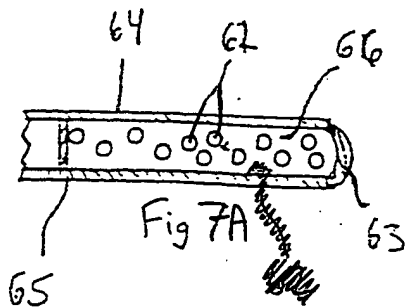
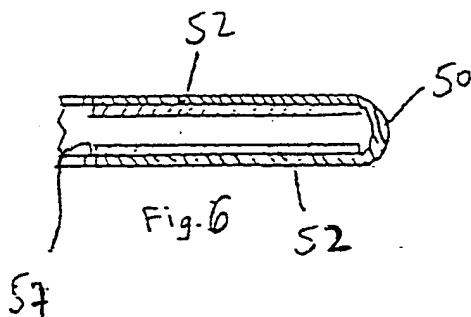
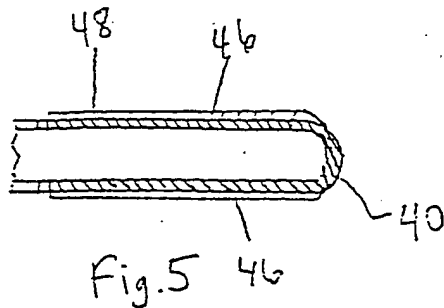


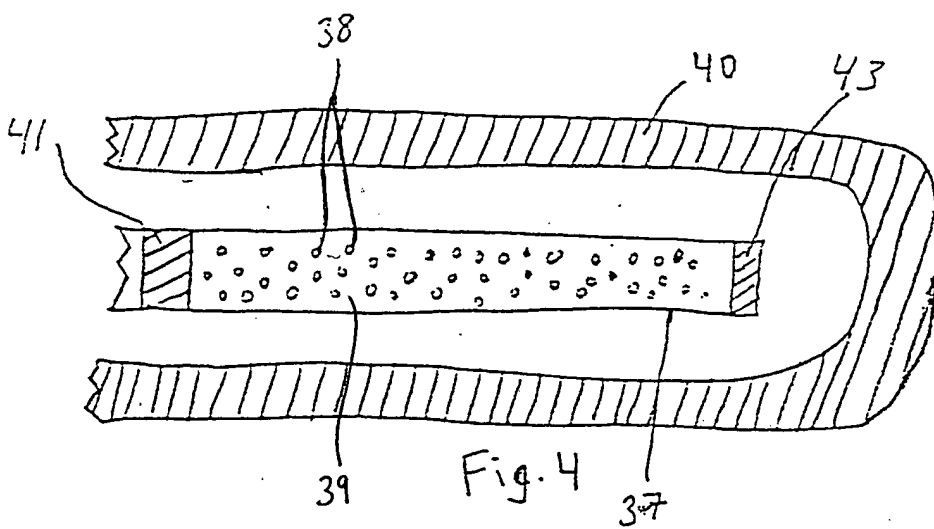
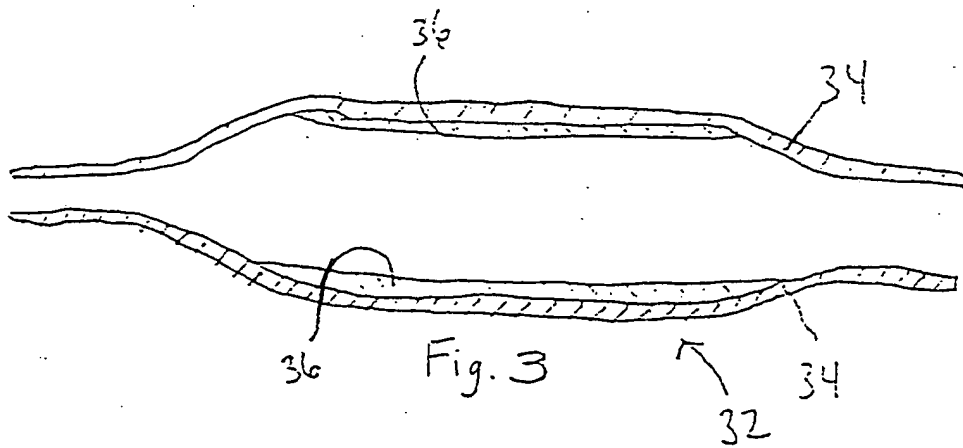
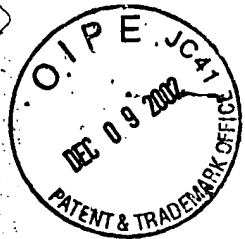
Fig. 2

Approved 2/19/03 HZ



Approved 2/19/03 AK





Approved 2/19/03 AL

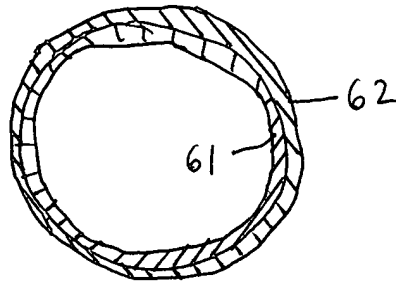


Fig. 7B

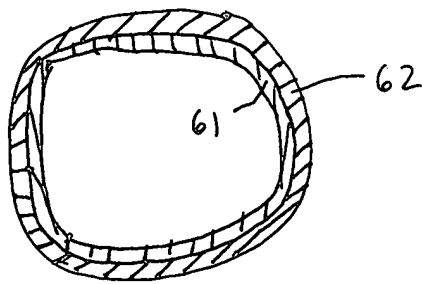


Fig 7C

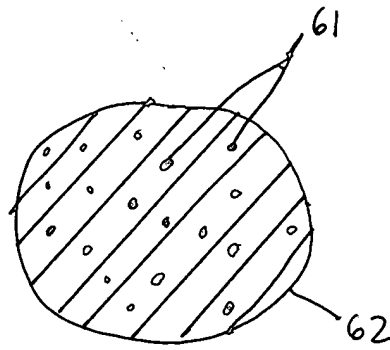


Fig. 7D

Approved 2/19/03 AR